



Technical Support
(949) 429-3303
Smartenit.com



Quick Start Guide - RainBee16

16 Zone Irrigation Controller



Product Brief

The RainBee16 offers wireless control and monitoring of up to 16 irrigation zones.

With the ability to interact remotely from a PC, smart phone, or through any web browser, water conservation and management is easily achieved.

The RainBee16 utilizes the ZigBee RF protocol in the HA profile, which is rapidly becoming the standard for home and building automation.

Valve timers and up to 4 program sequences will need to be set up and triggered with a home automation gateway such as the Harmony Gateway.

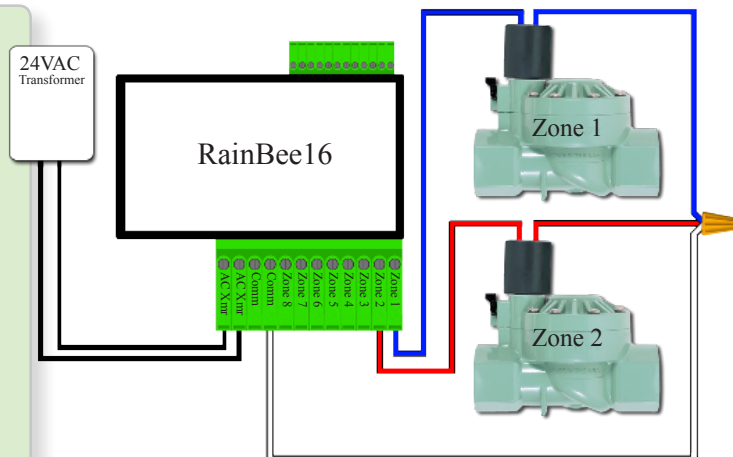
Installation

RainBee16 must be installed indoors or in a weather proof enclosure.

Each irrigation valve will have 2 wires. One wire will connect to a “Zone #” terminal and the other will connect to a “Comm” terminal. For more than two valves, connect all common wires together and attach one lead wire to run from the common bunch back to a “Comm” terminal as shown in the diagram.

A 24V AC power supply will be needed to power your valves and will connect to the two terminals labeled “AC Xmr”.

Once all connections have been made, proceed to Set-Up instructions below.



Set-up

1) Factory Reset

- With your RainBee16 disconnected from power, press and hold the Program Button and restore power while continuing to hold the Program Button. Once the Status LED starts to blink, release the Program Button.

2) Join Network

- Open a ZigBee HA router/coordinator to permit joining of your RainBee16 to the network. The Status LED blinks rapidly while searching for an open network to join.
- After the RainBee16 completes the joining process, the LED will be lit solid. The LED will remain flashing fast if the device is unable to join the network.





Open Permit Join

In addition to extending the range of ZigBee HA devices, the RainBee16 also serves as a router and allows other ZigBee HA devices to join the home automation network. After the RainBee16 has already joined the network (LED is solid) proceed as follows:

1. Press and hold the Program Button for 6 seconds, until it flashes. The Status LED will begin to flash rapidly. The RainBee16 will allow joining of other devices for up to 4 minutes.
2. Join the new ZigBee HA device to the network according to the join method of that device.
3. When the RainBee16 has timed out for join permission, the Status LED will return to solid.

